



MODULAR SOFT SEATING SYSTEM

METRO

ABSOLUTELY DESIGNED

MODULAR SOFT SEATING SYSTEM

Modular system gives great opportunities to shape every office, reception, lobby, lounge spaces.

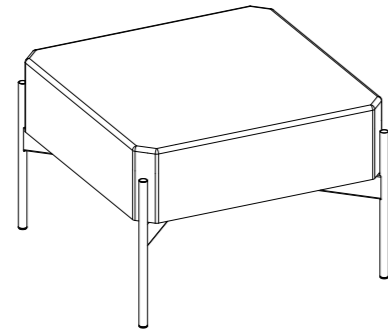
The assumption was to create the collection a versatile module items that does not limit the possibilities of space management.

The simple and modern form of the furniture will fit in most interiors.

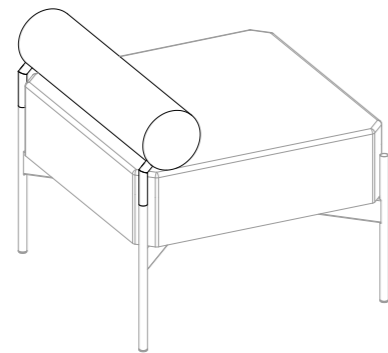
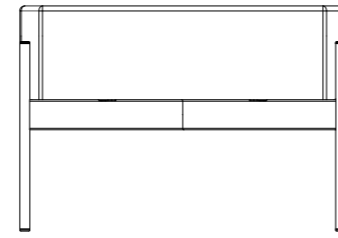
The same colors of upholstery in all types of pouffes allow you to create a matching collection.



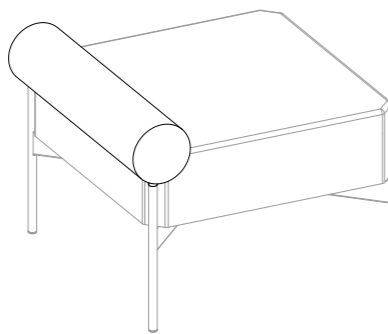
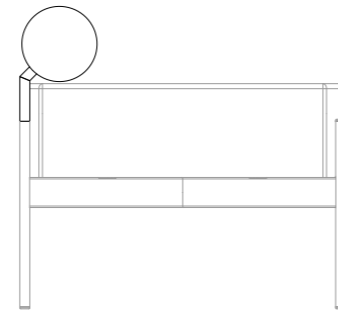
CREATE A SET



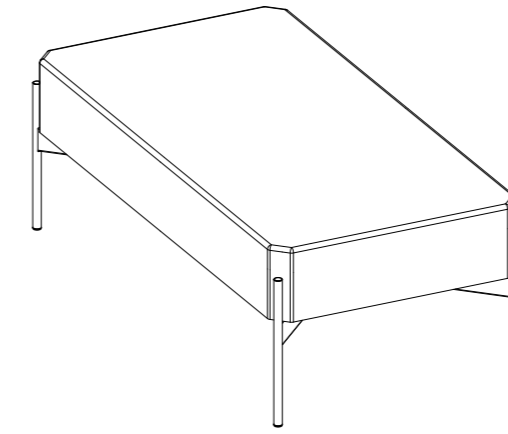
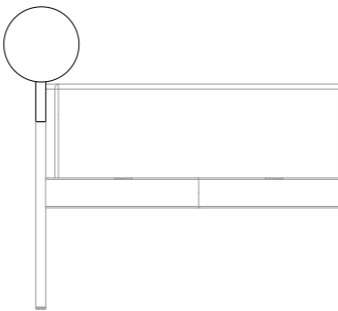
MD1 65x65x45H



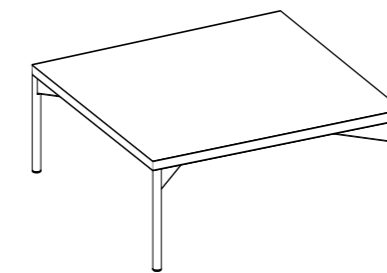
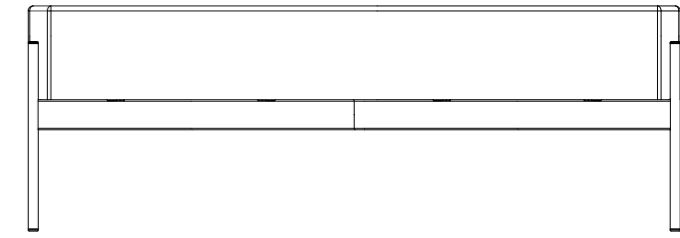
MD1WS Ø15x65
MD2WS Ø15x130



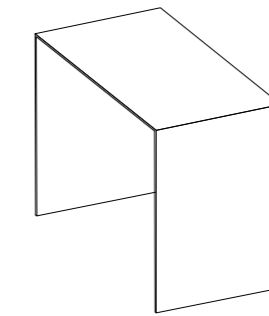
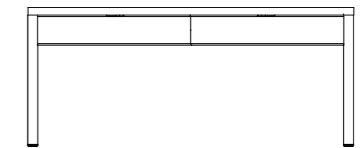
MD1WM Ø15x65
MD2WM Ø15x130



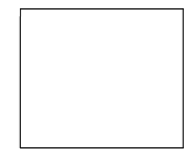
MD2 65x130x45H



MDS 65x65x28H



MDSM 65x32x65H



modulo

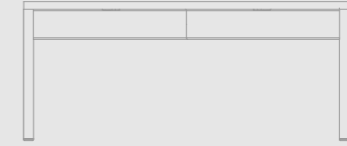


7x



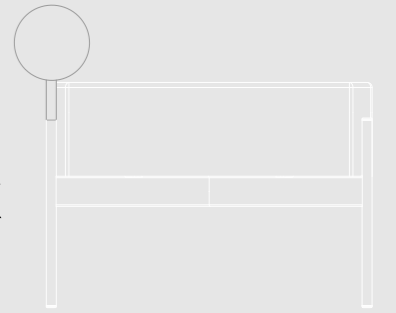
MD1 65x65x45H

3x



MDS 65x65x28H

3x



MD1WM Ø15x65

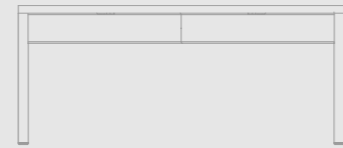


9x



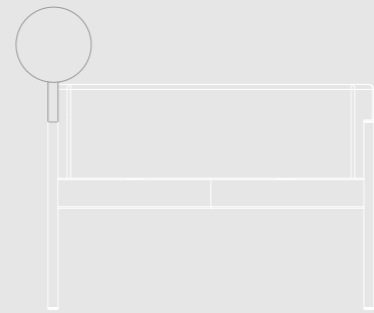
MD1 65x65x45H

3x



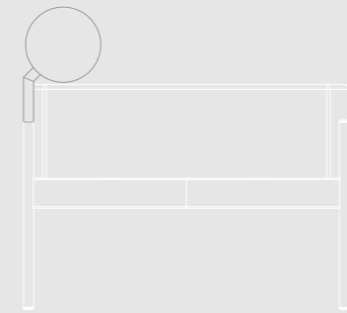
MDS 65x65x28H

2x



MD1WM Ø15x65

4x



MD1WS Ø15x65

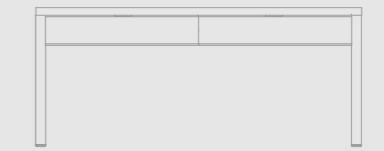


4x



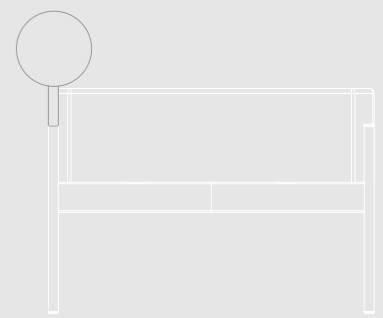
MD2 65x130x45H

1x



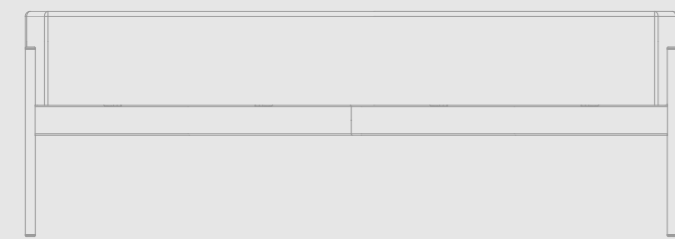
MDS 65x65x28H

4x



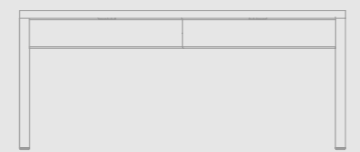
MD1WM Ø15x65

5x



MD2 65x130x45H

2x



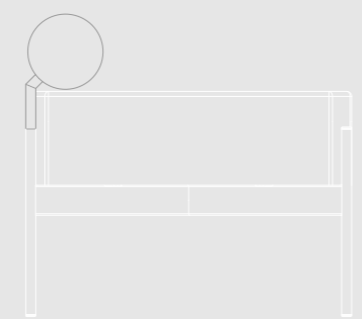
MDS 65x65x28H

1x



MDSM 65x32x65H

4x



MD2WS Ø15x130



MULTIFUNCTIONAL SOFT SEAT WITH WORK SPACE

Flip-top pouf based on wheels includes a double-sided backrest.

The one side is the backrest while the second part is the worktop.

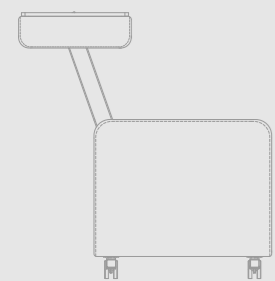
Mobile multifunctional flip-top gives opportunities to work in any space without getting up.

The worktop is made of HPL compact. Arm is made of powder-coated metal available in two colors (white/black).

The same colors of upholstery in all types of pouffes allow you to create a matching collection.



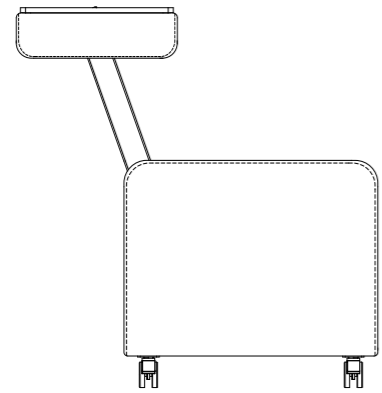
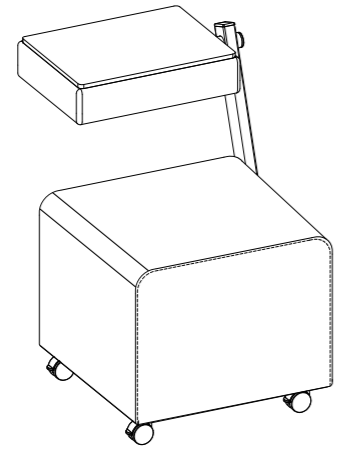
flip-top



FT 50x50x86H



CREATE A SET



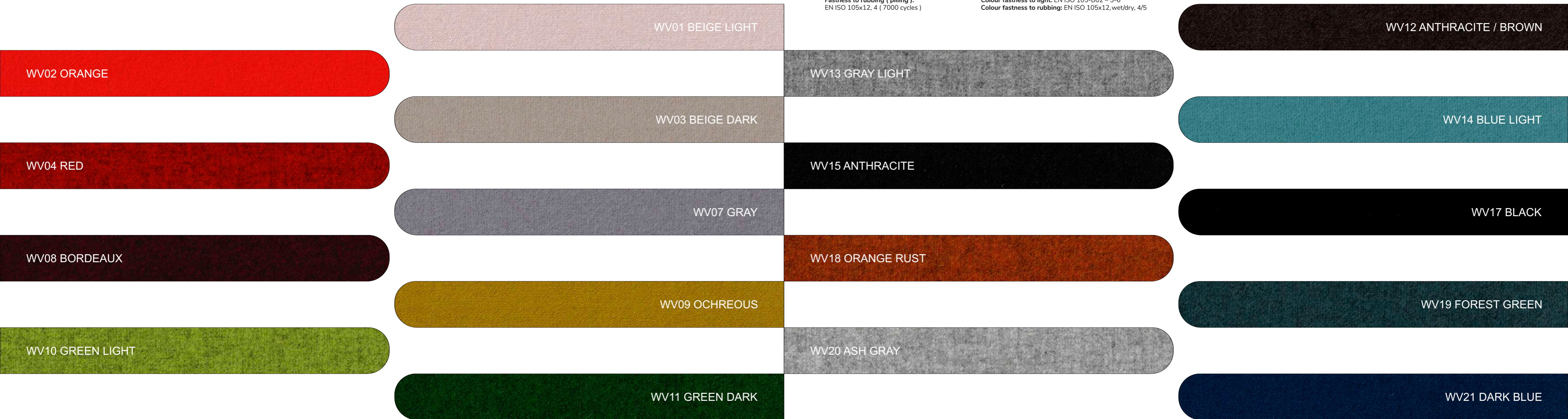
FT 50x50x86H

COLOURS OF BASE

WHITE - RAL9003

BLACK - RAL9005

COLOURS OF VOLVIT



Composition: 88 % Wool, 12% Polyamide
Weight: 400 g/m2, 560 g/linear meter
Abrasion resistance:
EN ISO 12947-2/ - 120.000 rubs Martindale
Fastness to rubbing (pilling):
EN ISO 105x12, 4 (7000 cycles)

Flammability: BS EN 1021-1:2006 (cigarette),
BS EN 1021-2:2006 (match) BS5852:
Part 1:1979: Source 0 BS5852:
Part 1:1979: Source 1-
Colour fastness to light: EN ISO 105-B02 – 5-6
Colour fastness to rubbing: EN ISO 105x12, wet/dry, 4/5

WV01 BEIGE LIGHT

WV02 ORANGE

WV03 BEIGE DARK

WV04 RED

WV07 GRAY

WV08 BORDEAUX

WV09 OCHREOUS

WV10 GREEN LIGHT

WV11 GREEN DARK

WV13 GRAY LIGHT

WV15 ANTHRACITE

WV18 ORANGE RUST

WV20 ASH GRAY

WV12 ANTHRACITE / BROWN

WV14 BLUE LIGHT

WV17 BLACK

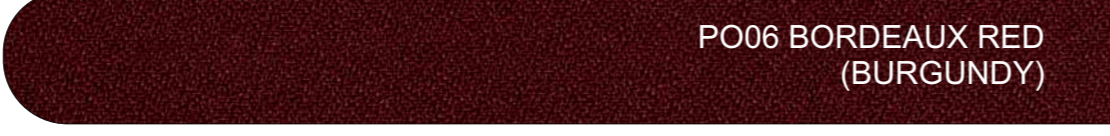
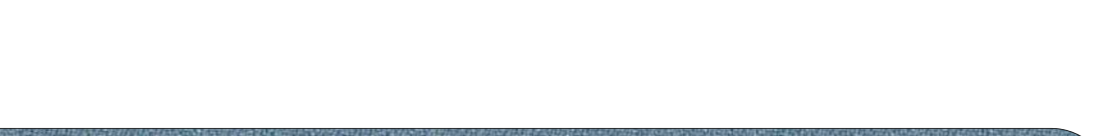
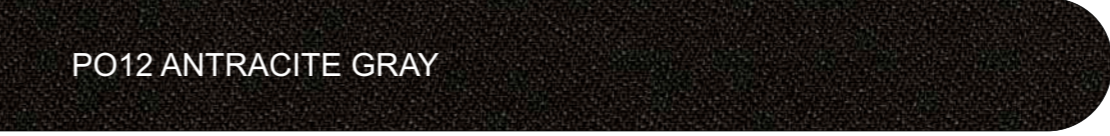
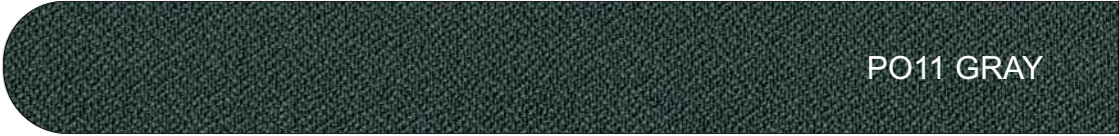
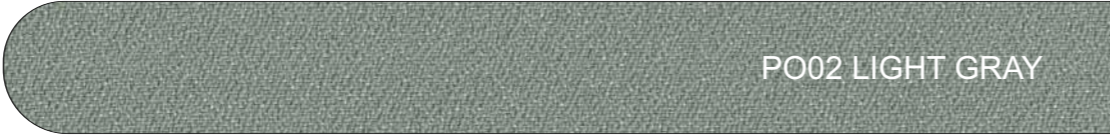
WV19 FOREST GREEN

WV21 DARK BLUE

COLOURS OF POLYESTER

Flammability: BS EN 1021 - 1:2014 (cigarette)
BS EN 1021 - 2:2014 (match)
BS 7176:2007 Low Hazard, BS 476 Part 7 Class 1
BS EN 13501-1 Adhered Class B, s1, d0
BS EN 13501-1 Unadhered Class B, s1,d2
Fastness to light: 6 (ISO 105 - B02:2014)

Composition: 100% Polyester. Non metallic dyestuffs
Weight: 260g/m ±5% (440g/lin.m ±5%)
Abrasion resistance: 5 year guarantee / 50,000 Martindale cycles (full details available)
Fastness to rubbing (pilling): Wet: 4, Dry: 4 (ISO 105 - X12:2002)





Informacje zawarte w tej publikacji są jedynie materiałem poglądowym i nie stanowią oferty handlowej w rozumieniu prawa.
The information contained in this publication are only illustrative material and does not constitute an offer within the meaning of the law.

metromoble.com